

FEATURES

- 40-channel DAC in a 64-lead LFCSP and a 64-lead LQFP
- Guaranteed monotonic to 16 bits
- Maximum output voltage span of $4 \times V_{REF}$ (20 V)
- Nominal output voltage span of -4 V to $+8\text{ V}$
- Multiple, independent output spans available
- System calibration function allowing user-programmable offset and gain
- Channel grouping and addressing features
- Thermal shutdown function
- DSP/microcontroller-compatible serial interface
- SPI serial interface

2.5 V to 5.5 V digital interface

Digital reset ($\overline{\text{RESET}}$)

Clear function to user-defined SIGGND_x

Simultaneous update of DAC outputs

APPLICATIONS

- Level setting in automatic test equipment (ATE)
- Variable optical attenuators (VOA)
- Optical switches
- Industrial control systems
- Instrumentation

FUNCTIONAL BLOCK DIAGRAM

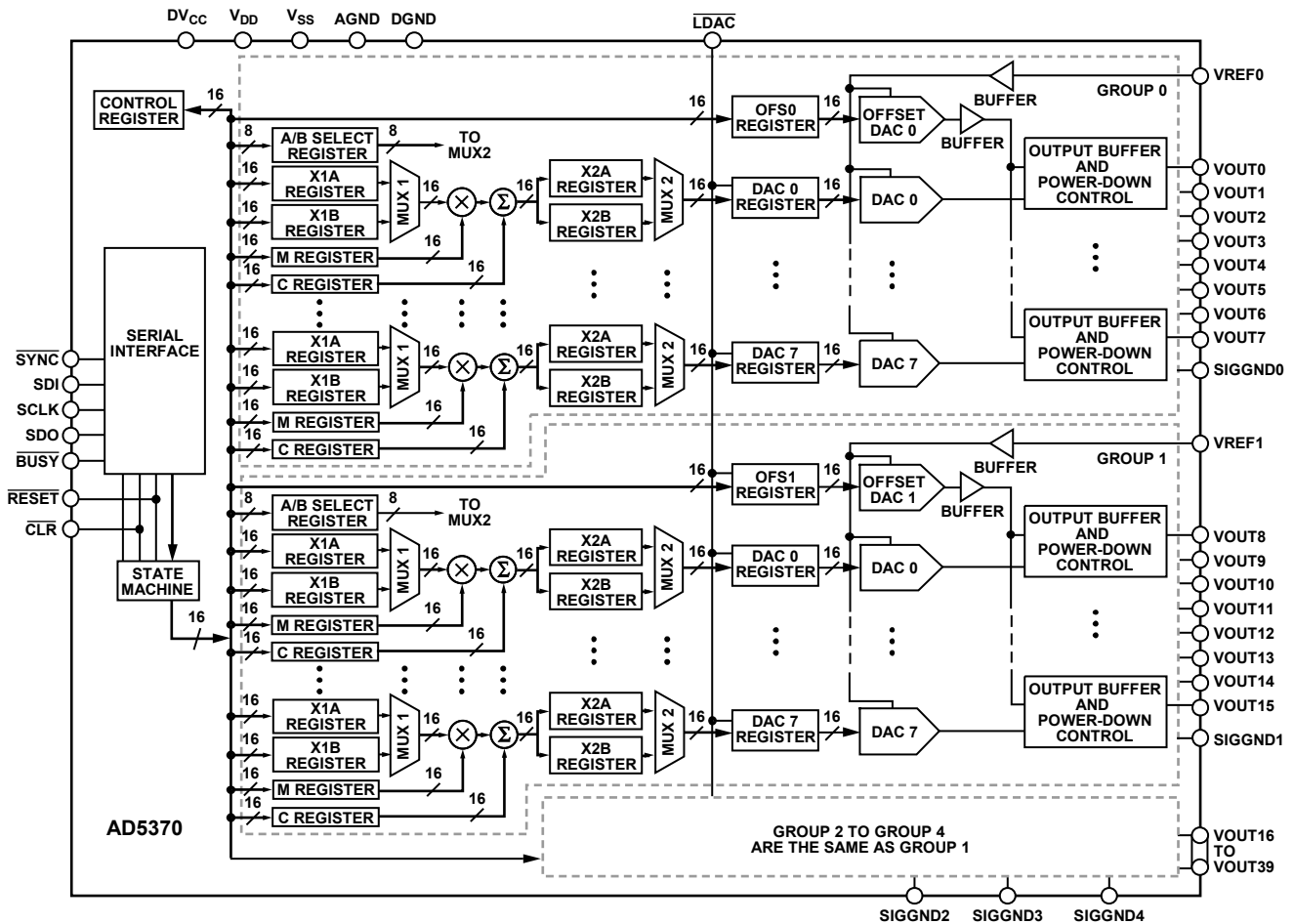


Figure 1.

Rev. 0

Information furnished by Analog Devices is believed to be accurate and reliable. However, no responsibility is assumed by Analog Devices for its use, nor for any infringements of patents or other rights of third parties that may result from its use. Specifications subject to change without notice. No license is granted by implication or otherwise under any patent or patent rights of Analog Devices. Trademarks and registered trademarks are the property of their respective owners.

TABLE OF CONTENTS

| | | | |
|--|----|---|----|
| Features | 1 | Transfer Function | 17 |
| Applications | 1 | Reference Selection | 17 |
| Functional Block Diagram | 1 | Calibration | 18 |
| Revision History | 2 | Additional Calibration | 18 |
| General Description | 3 | Reset Function | 19 |
| Specifications | 4 | Clear Function | 19 |
| Performance Specifications | 4 | $\overline{\text{BUSY}}$ and $\overline{\text{LDAC}}$ Functions | 19 |
| AC Characteristics | 5 | Power-Down Mode | 19 |
| Timing Characteristics | 6 | Thermal Shutdown Function | 19 |
| Timing Diagrams | 6 | Toggle Mode | 20 |
| Absolute Maximum Ratings | 9 | Serial Interface | 21 |
| ESD Caution | 9 | SPI Write Mode | 21 |
| Pin Configurations and Function Descriptions | 10 | SPI Readback Mode | 21 |
| Typical Performance Characteristics | 12 | Register Update Rates | 21 |
| Terminology | 14 | Channel Addressing and Special Modes | 21 |
| Theory of Operation | 15 | Special Function Mode | 23 |
| DAC Architecture | 15 | Power Supply Decoupling | 25 |
| Channel Groups | 15 | Power Supply Sequencing | 25 |
| $\overline{\text{A/B}}$ Registers and Gain/Offset Adjustment | 16 | Interfacing Examples | 26 |
| Load DAC | 16 | Outline Dimensions | 27 |
| Offset DAC Channels | 16 | Ordering Guide | 27 |
| Output Amplifier | 17 | | |

REVISION HISTORY**4/08—Revision 0: Initial Version**

GENERAL DESCRIPTION

The AD5370¹ contains forty 16-bit DACs in a single 64-lead LFCSP and a 64-lead LQFP. The device provides buffered voltage outputs with a span that is 4× the reference voltage. The gain and offset of each DAC channel can be independently trimmed to remove errors. For even greater flexibility, the device is divided into five groups of eight DACs. Three offset DAC channels allow the output range of blocks to be adjusted. Group 0 can be adjusted by Offset DAC 0, Group 1 can be adjusted by Offset DAC 1, and Group 2 to Group 4 can be adjusted by Offset DAC 2.

The AD5370 offers guaranteed operation over a wide supply range, with V_{SS} from -16.5 V to -4.5 V and V_{DD} from $+9\text{ V}$ to $+16.5\text{ V}$. The output amplifier headroom requirement is 1.4 V operating with a load current of 1 mA .

¹ Protected by U.S. Patent No. 5,969,657; other patents pending.

The AD5370 has a high speed serial interface that is compatible with SPI, QSPI™, MICROWIRE™, and DSP interface standards and can handle clock speeds of up to 50 MHz.

The DAC registers are updated on receipt of new data. All the outputs can be updated simultaneously by taking the $\overline{\text{LDAC}}$ input low. Each channel has a programmable gain and an offset adjust register to allow removal of gain and offset errors.

Each DAC output is gained and buffered on chip with respect to an external SIGGNDx input. The DAC outputs can also be switched to SIGGNDx via the $\overline{\text{CLR}}$ pin.

Table 1. High Channel Count Bipolar DACs

| Model | Resolution | Nominal Output Span | Output Channels | Linearity Error (LSB) |
|--------|------------|---------------------------|-----------------|-----------------------|
| AD5360 | 16 bits | $4 \times V_{REF}$ (20 V) | 16 | ±4 |
| AD5361 | 14 bits | $4 \times V_{REF}$ (20 V) | 16 | ±1 |
| AD5362 | 16 bits | $4 \times V_{REF}$ (20 V) | 8 | ±4 |
| AD5363 | 14 bits | $4 \times V_{REF}$ (20 V) | 8 | ±1 |
| AD5370 | 16 bits | $4 \times V_{REF}$ (12 V) | 40 | ±4 |
| AD5371 | 14 bits | $4 \times V_{REF}$ (12 V) | 40 | ±1 |
| AD5372 | 16 bits | $4 \times V_{REF}$ (12 V) | 32 | ±4 |
| AD5373 | 14 bits | $4 \times V_{REF}$ (12 V) | 32 | ±1 |
| AD5378 | 14 bits | ±8.75 V | 32 | ±3 |
| AD5379 | 14 bits | ±8.75 V | 40 | ±3 |

SPECIFICATIONS

PERFORMANCE SPECIFICATIONS

$DV_{CC} = 2.5\text{ V to }5.5\text{ V}$; $V_{DD} = 9\text{ V to }16.5\text{ V}$; $V_{SS} = -16.5\text{ V to }-8\text{ V}$; $V_{REF} = 3\text{ V}$; $AGND = DGND = SIGGND = 0\text{ V}$; $C_L = \text{open circuit}$; $R_L = \text{open circuit}$; gain (M), offset (C), and DAC offset registers at default values; all specifications T_{MIN} to T_{MAX} , unless otherwise noted.

Table 2.

| Parameter | Min | Type | Max | Unit | Test Conditions/Comments ¹ |
|--|-----------------|------|----------------|------------|---|
| ACCURACY | | | | | |
| Resolution | 16 | | | Bits | |
| Integral Nonlinearity | -4 | | +4 | LSB | |
| Differential Nonlinearity | -1 | | +1 | LSB | Guaranteed monotonic by design |
| Zero-Scale Error | -10 | | +10 | mV | Before calibration |
| Full-Scale Error | -10 | | +10 | mV | Before calibration |
| Gain Error | | | 0.1 | % FSR | |
| Zero-Scale Error ² | | 1 | | LSB | After calibration |
| Full-Scale Error ² | | 1 | | LSB | After calibration |
| Span Error of Offset DAC | -35 | | +35 | mV | See the Offset DAC Channels section for details |
| VOUT Temperature Coefficient (VOUT0 to VOUT39) | | 5 | | ppm FSR/°C | Includes linearity, offset, and gain drift |
| DC Crosstalk ² | | | 120 | μV | Typically 20 μV; measured channel at midscale, full-scale change on any other channel |
| REFERENCE INPUTS (VREF0, VREF1)² | | | | | |
| VREF Input Current | -10 | | +10 | μA | Per input, typically ±30 nA |
| VREF Range | 2 | | 5 | V | ±2% for specified operation |
| SIGGND INPUT (SIGGND0 to SIGGND4)² | | | | | |
| DC Input Impedance | 50 | | | kΩ | Typically 55 kΩ |
| Input Range | -0.5 | | +0.5 | V | |
| SIGGND Gain | 0.995 | | 1.005 | | |
| OUTPUT CHARACTERISTICS² | | | | | |
| Output Voltage Range | $V_{SS} + 1.4$ | | $V_{DD} - 1.4$ | V | $I_{LOAD} = 1\text{ mA}$ |
| Nominal Output Voltage Range | -4 | | +8 | V | |
| Short-Circuit Current | | | 15 | mA | VOUTx to DV_{CC} , V_{DD} , or V_{SS} |
| Load Current | -1 | | +1 | mA | |
| Capacitive Load | | | 2200 | pF | |
| DC Output Impedance | | | 0.5 | | |
| DIGITAL INPUTS | | | | | |
| Input High Voltage | 1.7 | | | V | $DV_{CC} = 2.5\text{ V to }3.6\text{ V}$ |
| | 2.0 | | | V | $DV_{CC} = 3.6\text{ V to }5.5\text{ V}$ |
| Input Low Voltage | | | 0.8 | V | $DV_{CC} = 2.5\text{ V to }5.5\text{ V}$ |
| Input Current | -1 | | +1 | μA | Excluding the CLR pin |
| CLR High Impedance Leakage Current | -20 | | +20 | μA | |
| Input Capacitance ² | | | 10 | pF | |
| DIGITAL OUTPUTS (SDO, BUSY) | | | | | |
| Output Low Voltage | | | 0.5 | V | Sinking 200 μA |
| Output High Voltage (SDO) | $DV_{CC} - 0.5$ | | | V | Sourcing 200 μA |
| SDO High Impedance Leakage Current | -5 | | +5 | μA | |
| High Impedance Output Capacitance ² | | 10 | | pF | |

| Parameter | Min | Type | Max | Unit | Test Conditions/Comments ¹ |
|---|-------|------|------|------|---|
| POWER REQUIREMENTS | | | | | |
| DV _{CC} | 2.5 | | 5.5 | V | |
| V _{DD} | 9 | | 16.5 | V | |
| V _{SS} | -16.5 | | -4.5 | V | |
| Power Supply Sensitivity² | | | | | |
| ΔFull Scale/ΔV _{DD} | | -75 | | dB | |
| ΔFull Scale/ΔV _{SS} | | -75 | | dB | |
| ΔFull Scale/ΔDV _{CC} | | -90 | | dB | |
| DI _{CC} | | | 2 | mA | DV _{CC} = 5.5 V, V _{IH} = DV _{CC} , V _{IL} = GND; normal operating conditions |
| I _{DD} | | | 18 | mA | Outputs unloaded, DAC outputs = 0 V |
| | | | 20 | mA | Outputs unloaded, DAC outputs = full scale |
| I _{SS} | | | -18 | mA | Outputs unloaded, DAC outputs = 0 V |
| | | | -20 | mA | Outputs unloaded, DAC outputs = full scale |
| Power Dissipation Unloaded (P) | | 280 | | mW | V _{SS} = -8 V, V _{DD} = +9.5 V, DV _{CC} = 2.5 V |
| Power-Down Mode | | | | | |
| DI _{CC} | | 5 | | μA | Control register power-down bit set |
| I _{DD} | | 35 | | μA | |
| I _{SS} | | -35 | | μA | |
| Junction Temperature ³ | | | 130 | °C | T _J = T _A + P _{TOTAL} × θ _{JA} |

¹ Temperature range for the AD5370 is -40°C to +85°C. Typical specifications are at 25°C.

² Guaranteed by design and characterization, not production tested.

³ Where θ_{JA} represents the package thermal impedance.

AC CHARACTERISTICS

DV_{CC} = 2.5 V; V_{DD} = 15 V; V_{SS} = -15 V; VREF0 = VREF1 = 3 V; AGND = DGND = SIGGND = 0 V; C_L = 200 pF; R_L = 10 kΩ; gain (M), offset (C), and DAC offset registers at default values; all specifications T_{MIN} to T_{MAX}, unless otherwise noted.

Table 3. AC Characteristics¹

| Parameter | Min | Typ | Max | Unit | Test Conditions/Comments |
|--|-----|------|-----|--------|--|
| DYNAMIC PERFORMANCE | | | | | |
| Output Voltage Settling Time | | 20 | | μs | Settling to 1 LSB from a full-scale change |
| | | | 30 | μs | DAC latch contents alternately loaded with all 0s and all 1s |
| Slew Rate | | 1 | | V/μs | |
| Digital-to-Analog Glitch Energy | | 5 | | nV-s | |
| Glitch Impulse Peak Amplitude | | | 10 | mV | |
| Channel-to-Channel Isolation | | 100 | | dB | VREF0 = VREF1 = 2 V p-p, 1 kHz |
| DAC-to-DAC Crosstalk | | 20 | | nV-s | |
| Digital Crosstalk | | 0.2 | | nV-s | |
| Digital Feedthrough | | 0.02 | | nV-s | Effect of input bus activity on DAC output under test |
| Output Noise Spectral Density @ 10 kHz | | 250 | | nV/√Hz | VREF0 = VREF1 = 0 V |

¹ Guaranteed by design and characterization, not production tested.

TIMING CHARACTERISTICS

$DV_{CC} = 2.5\text{ V to }5.5\text{ V}$; $V_{DD} = 9\text{ V to }16.5\text{ V}$; $V_{SS} = -16.5\text{ V to }-4.5\text{ V}$; $V_{REF} = 3\text{ V}$; $AGND = DGND = SIGGND = 0\text{ V}$; $C_L = 200\text{ pF to GND}$; $R_L = \text{open circuit}$; gain (M), offset (C), and DAC offset registers at default values; all specifications T_{MIN} to T_{MAX} , unless otherwise noted.

Table 4. SPI Interface

| Parameter ^{1,2,3} | Limit at T_{MIN}, T_{MAX} | | | Unit | Description |
|----------------------------|-----------------------------|-----|-----|---------------|--|
| | Min | Typ | Max | | |
| t_1 | 20 | | | ns | SCLK cycle time |
| t_2 | 8 | | | ns | SCLK high time |
| t_3 | 8 | | | ns | SCLK low time |
| t_4 | 11 | | | ns | $\overline{\text{SYNC}}$ falling edge to SCLK falling edge setup time |
| t_5 | 20 | | | ns | Minimum $\overline{\text{SYNC}}$ high time |
| t_6 | 10 | | | ns | 24 th SCLK falling edge to $\overline{\text{SYNC}}$ rising edge |
| t_7 | 5 | | | ns | Data setup time |
| t_8 | 5 | | | ns | Data hold time |
| t_9^4 | | | 42 | ns | $\overline{\text{SYNC}}$ rising edge to $\overline{\text{BUSY}}$ falling edge |
| t_{10} | | | 1.5 | μs | $\overline{\text{BUSY}}$ pulse width low (single-channel update); see Table 8 |
| t_{11} | | | 600 | ns | Single-channel update cycle time |
| t_{12} | 20 | | | ns | $\overline{\text{SYNC}}$ rising edge to $\overline{\text{LDAC}}$ falling edge |
| t_{13} | 10 | | | ns | $\overline{\text{LDAC}}$ pulse width low |
| t_{14} | | | 3 | μs | $\overline{\text{BUSY}}$ rising edge to DAC output response time |
| t_{15} | 0 | | | ns | $\overline{\text{BUSY}}$ rising edge to $\overline{\text{LDAC}}$ falling edge |
| t_{16} | | | 3 | μs | $\overline{\text{LDAC}}$ falling edge to DAC output response time |
| t_{17} | | 20 | 30 | μs | DAC output settling time |
| t_{18} | | | 140 | ns | $\overline{\text{CLR/RESET}}$ pulse activation time |
| t_{19} | 30 | | | ns | $\overline{\text{RESET}}$ pulse width low |
| t_{20} | | | 400 | μs | $\overline{\text{RESET}}$ time indicated by $\overline{\text{BUSY}}$ low |
| t_{21} | 270 | | | ns | Minimum $\overline{\text{SYNC}}$ high time in readback mode |
| t_{22}^5 | | | 25 | ns | SCLK rising edge to SDO valid |
| t_{23} | | | 80 | ns | $\overline{\text{RESET}}$ rising edge to $\overline{\text{BUSY}}$ falling edge |

¹ Guaranteed by design and characterization, not production tested.

² All input signals are specified with $t_r = t_f = 2\text{ ns}$ (10% to 90% of DV_{CC}) and timed from a voltage level of 1.2 V.

³ See Figure 4 and Figure 5.

⁴ This is measured with the load circuit shown in Figure 2.

⁵ This is measured with the load circuit shown in Figure 3.

TIMING DIAGRAMS

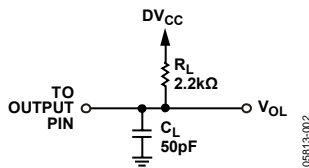


Figure 2. Load Circuit for $\overline{\text{BUSY}}$ Timing Diagram

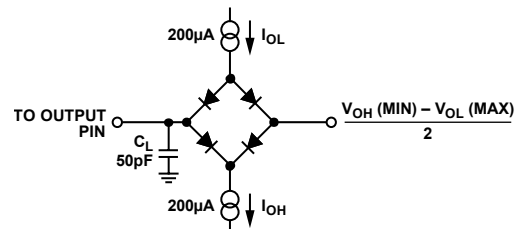
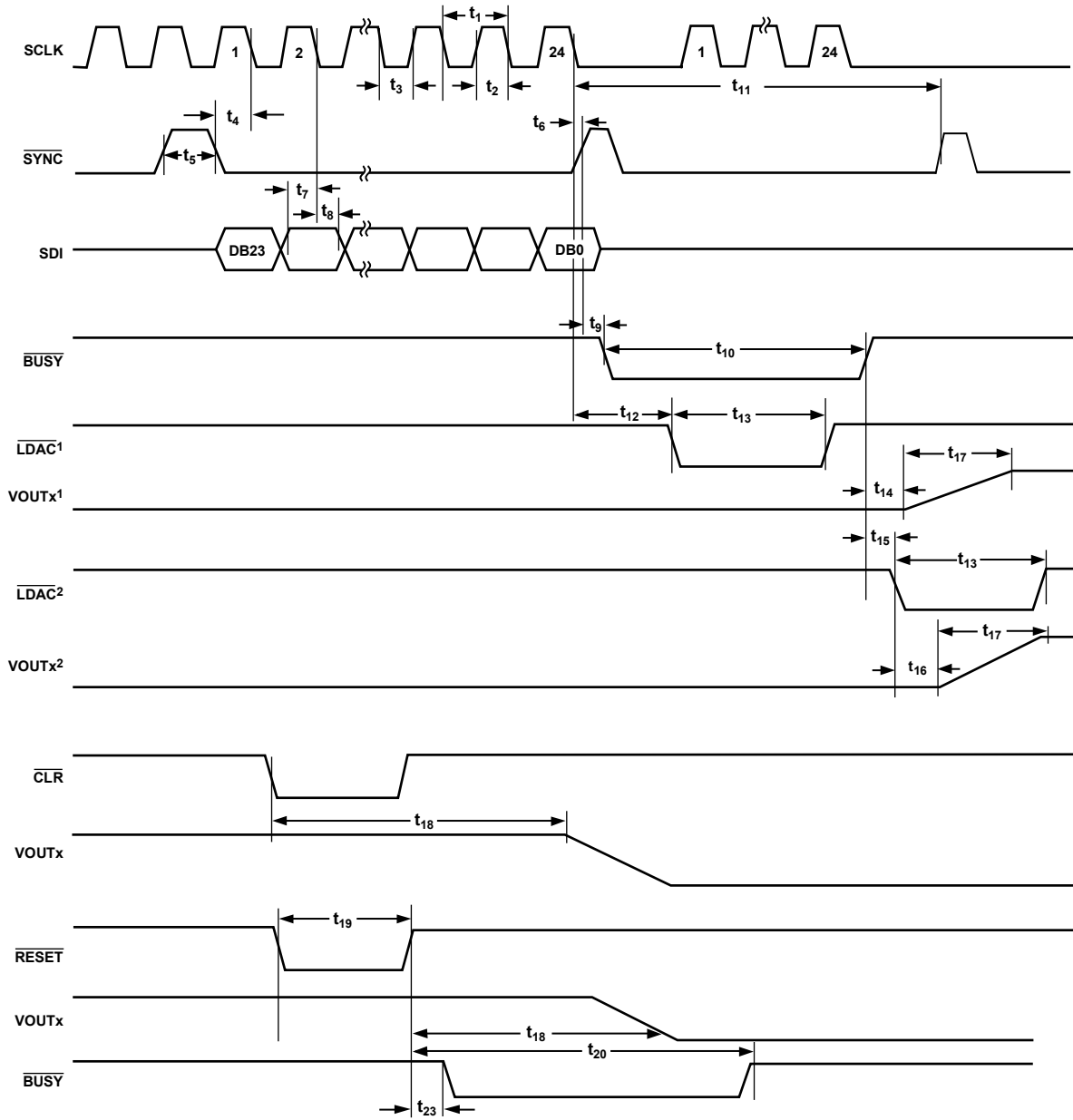


Figure 3. Load Circuit for SDO Timing Diagram



1 LDAC ACTIVE DURING BUSY.
 2 LDAC ACTIVE AFTER BUSY.

Figure 4. SPI Write Timing

05813-004

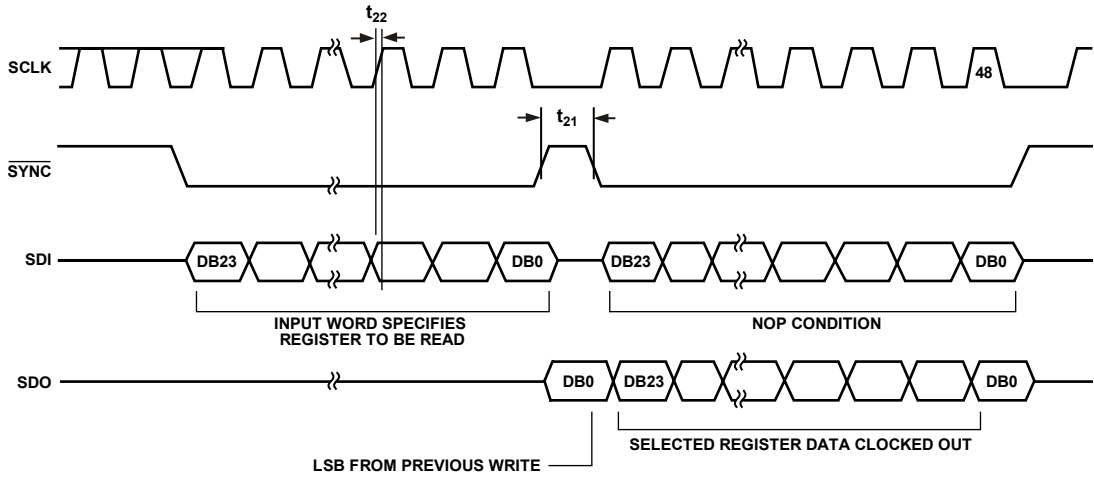


Figure 5. SPI Read Timing

05813-005

ABSOLUTE MAXIMUM RATINGS

$T_A = 25^\circ\text{C}$, unless otherwise noted. Transient currents of up to 60 mA do not cause SCR latch-up.

Table 5.

| Parameter | Rating |
|---|--------------------------------------|
| V_{DD} to AGND | -0.3 V to +17 V |
| V_{SS} to AGND | -17 V to +0.3 V |
| DV_{CC} to DGND | -0.3 V to +7 V |
| Digital Inputs to DGND | -0.3 V to $DV_{CC} + 0.3$ V |
| Digital Outputs to DGND | -0.3 V to $DV_{CC} + 0.3$ V |
| VREF0, VREF1 to AGND | -0.3 V to +5.5 V |
| VOUT0 through VOUT39 to AGND | $V_{SS} - 0.3$ V to $V_{DD} + 0.3$ V |
| SIGGND0 through SIGGND4 to AGND | -1 V to +1 V |
| AGND to DGND | -0.3 V to +0.3 V |
| Operating Temperature Range (T_A) | |
| Industrial (B Version) | -40°C to +85°C |
| Storage | -65°C to +150°C |
| Operating Junction Temperature (T_J max) | 130°C |
| θ_{JA} Thermal Impedance | |
| 64-Lead LFCSP | 25°C/W |
| 64-Lead LQFP | 45.5°C/W |
| Reflow Soldering | |
| Peak Temperature | 230°C |
| Time at Peak Temperature | 10 sec to 40 sec |

Stresses above those listed under Absolute Maximum Ratings may cause permanent damage to the device. This is a stress rating only; functional operation of the device at these or any other conditions above those indicated in the operational section of this specification is not implied. Exposure to absolute maximum rating conditions for extended periods may affect device reliability.

ESD CAUTION



ESD (electrostatic discharge) sensitive device.

Charged devices and circuit boards can discharge without detection. Although this product features patented or proprietary protection circuitry, damage may occur on devices subjected to high energy ESD. Therefore, proper ESD precautions should be taken to avoid performance degradation or loss of functionality.

PIN CONFIGURATIONS AND FUNCTION DESCRIPTIONS

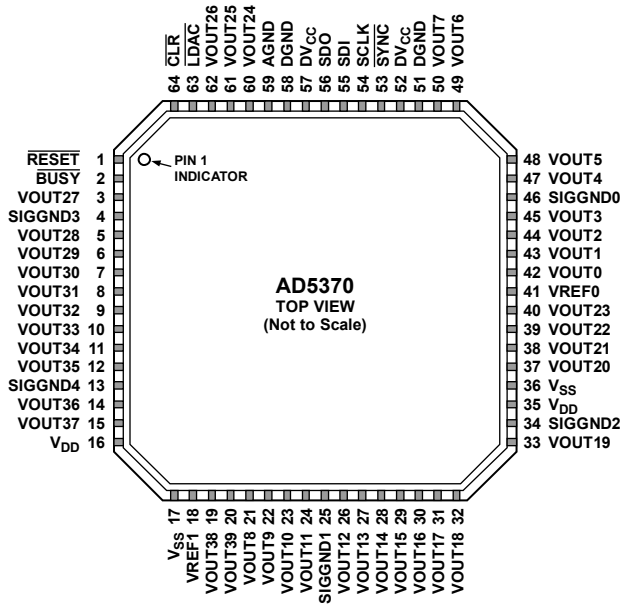


Figure 6. 64-Lead LFCSP Pin Configuration

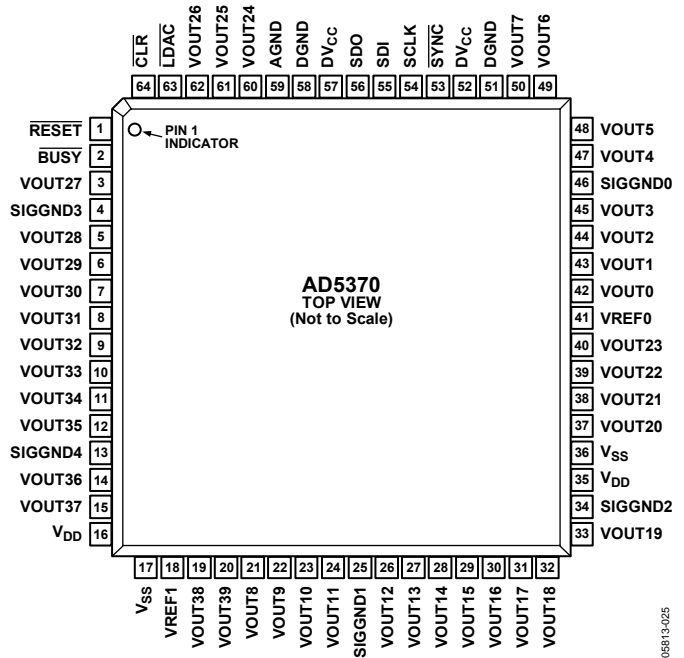


Figure 7. 64-Lead LQFP Pin Configuration

Table 6. Pin Function Descriptions

| Pin No. | Mnemonic | Description |
|--|-----------------|--|
| 1 | RESET | Digital Reset Input. |
| 2 | BUSY | BUSY Input/Output (Active Low). $\overline{\text{BUSY}}$ is open-drain when an output. See the $\overline{\text{BUSY}}$ and $\overline{\text{LDAC}}$ Functions section for more information. |
| 3, 5 to 12, 14, 15, 19 to 24, 26 to 33, 37 to 40, 42 to 45, 47 to 50, 60 to 62 | VOUT0 to VOUT39 | DAC Outputs. Buffered analog outputs for each of the 40 DAC channels. Each analog output is capable of driving an output load of 10 k Ω to ground. Typical output impedance of these amplifiers is 0.5 Ω . |
| 46 | SIGGND0 | Reference Ground for DAC 0 to DAC 7. VOUT0 to VOUT7 are referenced to this voltage. |
| 25 | SIGGND1 | Reference Ground for DAC 8 to DAC 15. VOUT8 to VOUT15 are referenced to this voltage. |
| 34 | SIGGND2 | Reference Ground for DAC 16 to DAC 23. VOUT16 to VOUT23 are referenced to this voltage. |
| 4 | SIGGND3 | Reference Ground for DAC 24 and DAC 31. VOUT24 to VOUT31 are referenced to this voltage. |
| 13 | SIGGND4 | Reference Ground for DAC 32 to DAC 39. VOUT32 to VOUT39 are referenced to this voltage. |
| 41 | VREF0 | Reference Input for DAC 0 to DAC 7. This reference voltage is referred to AGND. |
| 18 | VREF1 | Reference Input for DAC 8 to DAC 39. This reference voltage is referred to AGND. |

| Pin No. | Mnemonic | Description |
|---------|--------------------------|---|
| 16, 35 | V _{DD} | Positive Analog Power Supply; +9 V to +16.5 V for specified performance. These pins should be decoupled with 0.1 μ F ceramic capacitors and 10 μ F capacitors. |
| 17, 36 | V _{SS} | Negative Analog Power Supply; –16.5 V to –8 V for specified performance. These pins should be decoupled with 0.1 μ F ceramic capacitors and 10 μ F capacitors. |
| 51, 58 | DGND | Ground for All Digital Circuitry. Both DGND pins should be connected to the DGND plane. |
| 52, 57 | DV _{CC} | Logic Power Supply; 2.5 V to 5.5 V. These pins should be decoupled with 0.1 μ F ceramic capacitors and 10 μ F capacitors. |
| 53 | $\overline{\text{SYNC}}$ | Active Low Input. This is the frame synchronization signal for the serial interface. See the Timing Characteristics section for more details. |
| 54 | SCLK | Serial Clock Input. Data is clocked into the shift register on the falling edge of SCLK. This pin operates at clock speeds up to 50 MHz. See the Timing Characteristics section for more details. |
| 55 | SDI | Serial Data Input. Data must be valid on the falling edge of SCLK. See the Timing Characteristics section for more details. |
| 56 | SDO | Serial Data Output for SPI Interface. CMOS output. SDO can be used for readback. Data is clocked out on SDO on the rising edge of SCLK and is valid on the falling edge of SCLK. |
| 59 | AGND | Ground for All Analog Circuitry. The AGND pin should be connected to the AGND plane. |
| 63 | $\overline{\text{LDAC}}$ | Load DAC Logic Input (Active Low). |
| 64 | $\overline{\text{CLR}}$ | Asynchronous Clear Input (Level Sensitive, Active Low). See the Clear Function section for more information. |
| | Exposed Paddle | The lead-free chip scale package (LFCSP) has an exposed paddle on the underside. The paddle should be connected to V _{SS} . |

TYPICAL PERFORMANCE CHARACTERISTICS

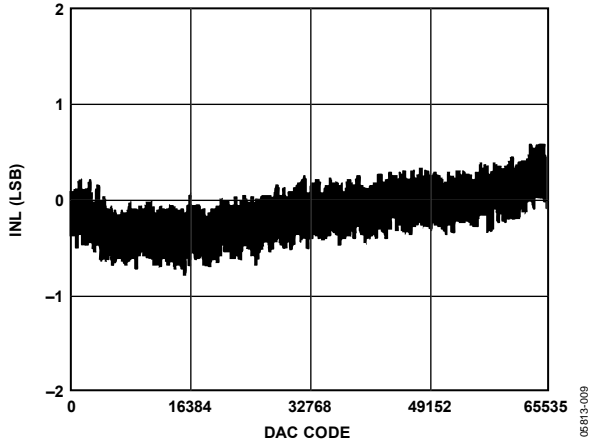


Figure 8. Typical INL Plot

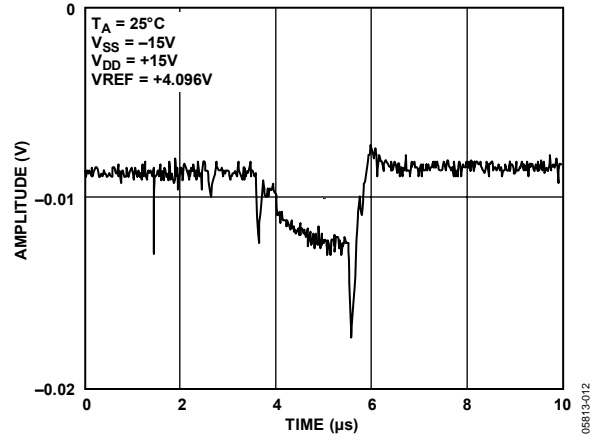


Figure 11. Analog Crosstalk Due to \overline{LDAC}

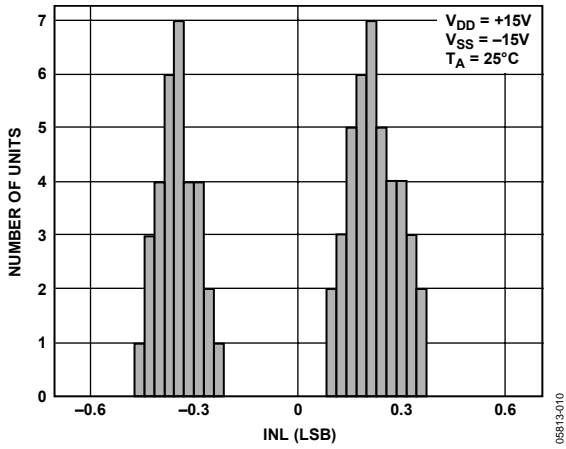


Figure 9. Typical INL Distribution

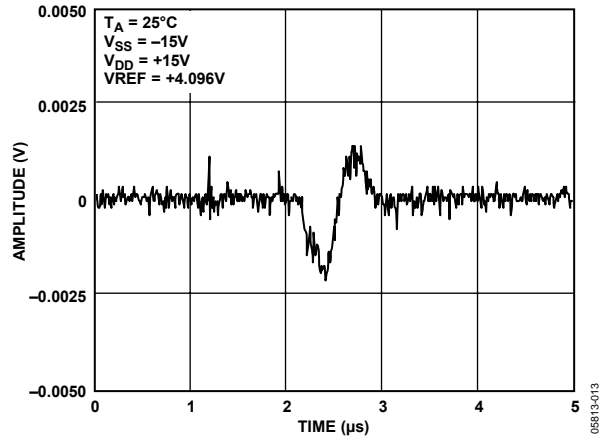


Figure 12. Digital Crosstalk

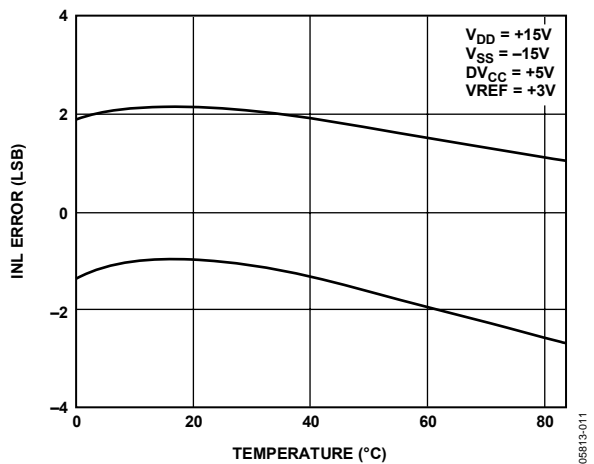


Figure 10. Typical INL Error vs. Temperature

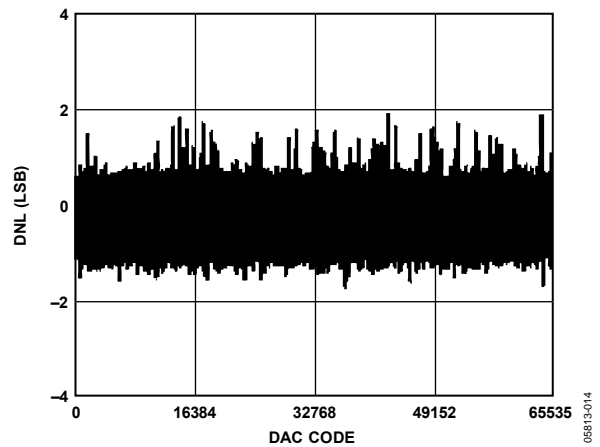


Figure 13. Typical DNL Plot

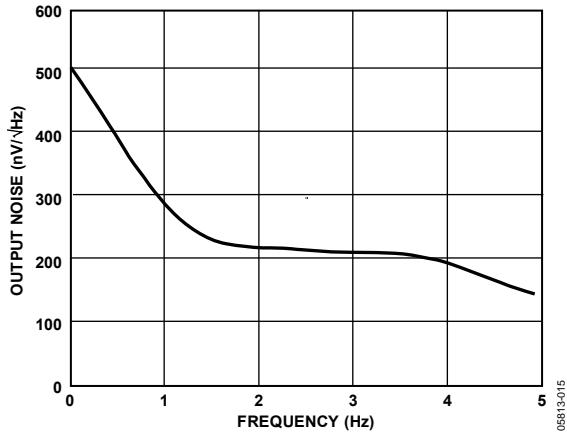


Figure 14. Noise Spectral Density

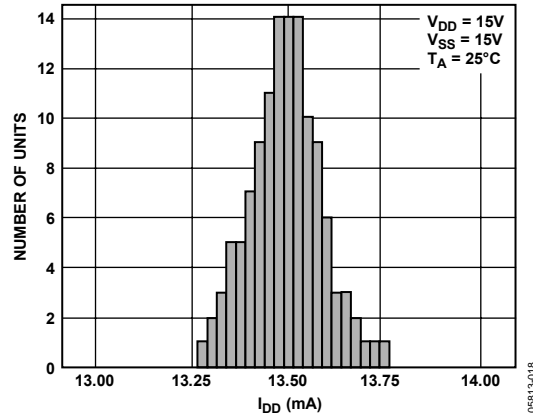


Figure 17. Typical I_{DD} Distribution

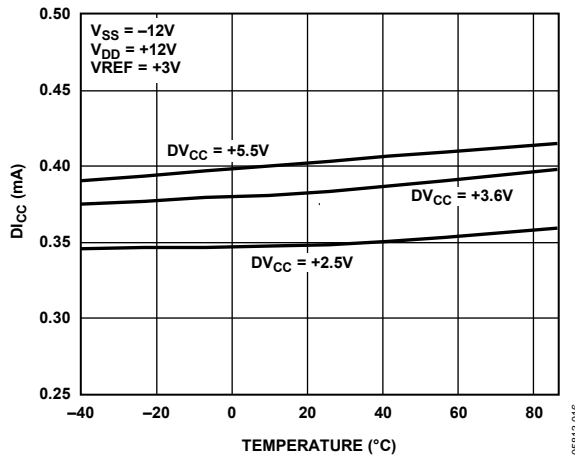


Figure 15. $D_{I_{CC}}$ vs. Temperature

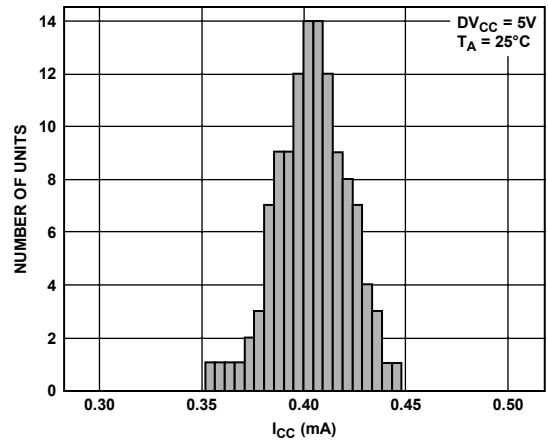


Figure 18. Typical $D_{I_{CC}}$ Distribution

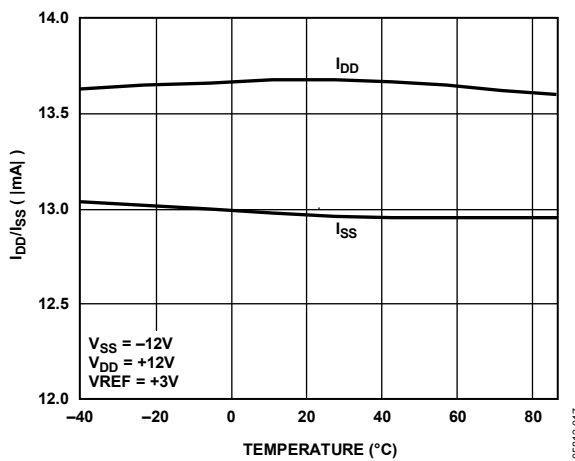


Figure 16. I_{DD}/I_{SS} vs. Temperature

05813-015

05813-018

05813-016

05813-019

05813-017

TERMINOLOGY

Integral Nonlinearity (INL)

Integral nonlinearity, or endpoint linearity, is a measure of the maximum deviation from a straight line passing through the endpoints of the DAC transfer function. It is measured after adjusting for zero-scale error and full-scale error and is expressed in least significant bits (LSB).

Differential Nonlinearity (DNL)

Differential nonlinearity is the difference between the measured change and the ideal 1 LSB change between any two adjacent codes. A specified differential nonlinearity of 1 LSB maximum ensures monotonicity.

Zero-Scale Error

Zero-scale error is the error in the DAC output voltage when all 0s are loaded into the DAC register.

Zero-scale error is a measure of the difference between V_{OUT} (actual) and V_{OUT} (ideal), expressed in millivolts, when the channel is at its minimum value. Zero-scale error is mainly due to offsets in the output amplifier.

Full-Scale Error

Full-scale error is the error in DAC output voltage when all 1s are loaded into the DAC register. Full-scale error is a measure of the difference between V_{OUT} (actual) and V_{OUT} (ideal), expressed in millivolts, when the channel is at its maximum value. It does not include zero-scale error.

Gain Error

Gain error is the difference between full-scale error and zero-scale error. It is expressed in millivolts.

$$\text{Gain Error} = \text{Full-Scale Error} - \text{Zero-Scale Error}$$

V_{OUT} Temperature Coefficient

This includes output error contributions from linearity, offset, and gain drift.

DC Output Impedance

DC output impedance is the effective output source resistance. It is dominated by package lead resistance.

DC Crosstalk

The DAC outputs are buffered by op amps that share common V_{DD} and V_{SS} power supplies. If the dc load current changes in one channel (due to an update), this can result in a further dc change in one or more channel outputs. This effect is more

significant at high load currents and reduces as the load currents are reduced. With high impedance loads, the effect is virtually immeasurable. Multiple V_{DD} and V_{SS} terminals are provided to minimize dc crosstalk.

Output Voltage Settling Time

The amount of time it takes for the output of a DAC to settle to a specified level for a full-scale input change.

Digital-to-Analog Glitch Energy

The amount of energy injected into the analog output at the major code transition. It is specified as the area of the glitch in nV-s. It is measured by toggling the DAC register data between 0x1FFF and 0x2000.

Channel-to-Channel Isolation

Channel-to-channel isolation refers to the proportion of input signal from the reference input of one DAC that appears at the output of another DAC operating from another reference. It is expressed in decibels and measured at midscale.

DAC-to-DAC Crosstalk

DAC-to-DAC crosstalk is the glitch impulse that appears at the output of one converter due to both the digital change and subsequent analog output change at another converter. It is specified in nV-s.

Digital Crosstalk

The glitch impulse transferred to the output of one converter due to a change in the DAC register code of another converter is defined as the digital crosstalk and is specified in nV-s.

Digital Feedthrough

When the device is not selected, high frequency logic activity on the digital inputs of the device can be capacitively coupled both across and through the device to appear as noise on the V_{OUTx} pins. It can also be coupled along the supply and ground lines. This noise is digital feedthrough.

Output Noise Spectral Density

Output noise spectral density is a measure of internally generated random noise. Random noise is characterized as a spectral density (voltage per $\sqrt{\text{Hz}}$). It is measured by loading all DACs to midscale and measuring noise at the output. It is measured in nV/ $\sqrt{\text{Hz}}$.

THEORY OF OPERATION

DAC ARCHITECTURE

The AD5370 contains 40 DAC channels and 40 output amplifiers in a single package. The architecture of a single DAC channel consists of a 16-bit resistor-string DAC followed by an output buffer amplifier. The resistor-string section is simply a string of resistors, of equal value, from VREF to AGND. This type of architecture guarantees DAC monotonicity. The 16-bit binary digital code loaded to the DAC register determines at which node on the string the voltage is tapped off before being fed into the output amplifier. The output amplifier multiplies the DAC output voltage by 4. The nominal output span is 12 V with a 3 V reference and 20 V with a 5 V reference.

CHANNEL GROUPS

The 40 DAC channels of the AD5370 are arranged into five groups of eight channels. The eight DACs of Group 0 derive their reference voltage from VREF0. Group 1 to Group 4 derive their reference voltage from VREF1. Each group has its own signal ground pin.

Table 7. AD5370 Registers

| Register Name | Word Length (Bits) | Default Value | Description |
|----------------------|--------------------|---------------------|--|
| X1A | 16 | 0x1555 | Input Data Register A. One for each DAC channel. |
| X1B | 16 | 0x1555 | Input Data Register B. One for each DAC channel. |
| M | 16 | 0x3FFF | Gain trim register. One for each DAC channel. |
| C | 16 | 0x2000 | Offset trim register. One for each DAC channel. |
| X2A | 16 | Not user accessible | Output Data Register A. One for each DAC channel. These registers store the final calibrated DAC data after gain and offset trimming. They are not readable or directly writable. |
| X2B | 16 | Not user accessible | Output Data Register B. One for each DAC channel. These registers store the final calibrated DAC data after gain and offset trimming. They are not readable or directly writable. |
| DAC | | Not user accessible | Data registers from which the DAC channels take their final input data. The DAC registers are updated from the X2A or X2B register. They are not readable or directly writable. |
| OFS0 | 14 | 0x1555 | Offset DAC 0 data register. Sets the offset for Group 0. |
| OFS1 | 14 | 0x1555 | Offset DAC 1 data register. Sets the offset for Group 1 to Group 4. |
| Control | 3 | 0x00 | Bit 2 = \bar{A}/B . 0 = global selection of X1A input data registers. 1 = X1B registers. Bit 1 = enable temperature shutdown. 0 = disable temperature shutdown. 1 = enable. Bit 0 = soft power-down. 0 = soft power-up. 1 = soft power-down. |
| \bar{A}/B Select 0 | 8 | 0x00 | Each bit in this register determines if a DAC channel in Group 0 takes its data from Register X2A or X2B. 0 = X2A. 1 = X2B. |
| \bar{A}/B Select 1 | 8 | 0x00 | Each bit in this register determines if a DAC channel in Group 1 takes its data from Register X2A or X2B. 0 = X2A. 1 = X2B. |
| \bar{A}/B Select 2 | 8 | 0x00 | Each bit in this register determines if a DAC channel in Group 2 takes its data from Register X2A or X2B. 0 = X2A. 1 = X2B. |
| \bar{A}/B Select 3 | 8 | 0x00 | Each bit in this register determines if a DAC channel in Group 3 takes its data from Register X2A or X2B. 0 = X2A. 1 = X2B. |
| \bar{A}/B Select 4 | 8 | 0x00 | Each bit in this register determines if a DAC channel in Group 4 takes its data from Register X2A or X2B. 0 = X2A. 1 = X2B. |

A/B REGISTERS AND GAIN/OFFSET ADJUSTMENT

Each DAC channel has seven data registers. The actual DAC data-word can be written to either the X1A or X1B input register, depending on the setting of the $\overline{A/B}$ bit in the Control register. If the $\overline{A/B}$ bit is 0, data is written to the X1A register. If the $\overline{A/B}$ bit is 1, data is written to the X1B register. Note that this single bit is a global control and affects every DAC channel in the device. It is not possible to set up the device on a per-channel basis so that some writes are to X1A registers and some writes are to X1B registers.

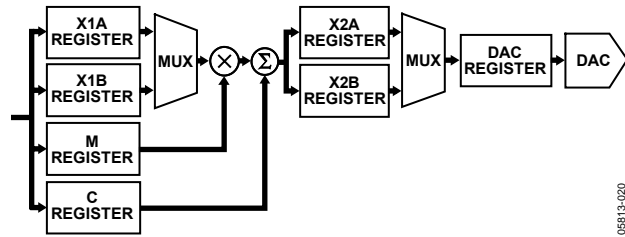


Figure 19. Data Registers Associated with Each DAC Channel

Each DAC channel also has a gain (M) register and an offset (C) register, which allow trimming out of the gain and offset errors of the entire signal chain. Data from the X1A register is operated on by a digital multiplier and an adder controlled by the contents of the M and C registers. The calibrated DAC data is then stored in the X2A register. Similarly, data from the X1B register is operated on by the multiplier and adder and stored in the X2B register.

Although Figure 19 indicates a multiplier and an adder for each channel, there is only one multiplier and one adder in the device, and they are shared among all channels. This has implications for the update speed when several channels are updated at once, as described in the Register Update Rates section.

Each time data is written to the X1A register, or to the M or C register with the $\overline{A/B}$ control bit set to 0, the X2A data is recalculated and the X2A register is automatically updated. Similarly, X2B is updated each time data is written to X1B or to M or C with $\overline{A/B}$ set to 1. The X2A and X2B registers are not readable or directly writable by the user.

Data output from the X2A and X2B registers is routed to the final DAC register by a multiplexer. Whether each individual DAC takes its data from the X2A or X2B register is controlled by an 8-bit $\overline{A/B}$ select register associated with each group of eight DACs. If a bit in this register is 0, the DAC takes its data from the X2A register; if 1, the DAC takes its data from the X2B register (Bit 0 through Bit 7 control DAC0 to DAC7).

Note that, because there are 40 bits in five registers, it is possible to set up, on a per-channel basis, whether each DAC takes its data from the X2A or X2B register. A global command is also provided, which sets all bits in the $\overline{A/B}$ select registers to 0 or to 1.

LOAD DAC

All DAC channels in the AD5370 can be updated simultaneously by taking \overline{LDAC} low when each DAC register is updated from either its X2A or X2B register, depending on the setting of the $\overline{A/B}$ select registers. The DAC register is not readable or directly writable by the user.

OFFSET DAC CHANNELS

In addition to the gain and offset trim for each DAC channel, there are two 14-bit offset DAC channels, one for Group 0 and one for Group 1 to Group 4. These allow the output range of all DAC channels connected to them to be offset within a defined range. Thus, subject to the limitations of headroom, it is possible to set the output range of Group 0 or Group 1 to Group 4 to be unipolar positive, unipolar negative, or bipolar, either symmetrical or asymmetrical about 0 V. The DAC channels in the AD5370 are factory trimmed with the offset DAC channels set at their default values. This results in optimum offset and gain performance for the default output range and span.

When the output range is adjusted by changing the value of the offset DAC channel, an extra offset is introduced due to the gain error of the offset DAC channel. The amount of offset is dependent on the magnitude of the reference and how much the offset DAC channel deviates from its default value. This offset is quoted in the Specifications section.

The worst-case offset occurs when the offset DAC channel is at positive or negative full scale. This value can be added to the offset present in the main DAC channel to give an indication of the overall offset for that channel. In most cases, the offset can be removed by programming the channel's C register with an appropriate value. The extra offset caused by the offset DAC s only needs to be taken into account when an offset DAC channel is changed from its default value.

Figure 20 shows the allowable code range that can be loaded to the offset DAC channel; this is dependent on the reference value used. Thus, for a 5 V reference, the offset DAC channel should not be programmed with a value greater than 8192 (0x2000).

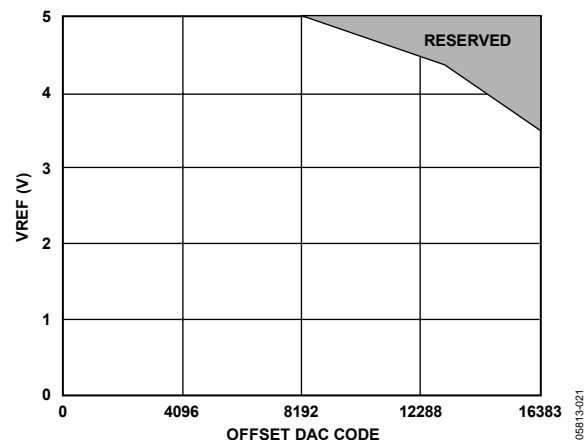


Figure 20. Offset DAC Code Range

OUTPUT AMPLIFIER

The output amplifiers can swing to 1.4 V below the positive supply and 1.4 V above the negative supply, which limits how much the output can be offset for a given reference voltage. For example, it is not possible to have a unipolar output range of 20 V because the maximum supply voltage is ±16.5 V.

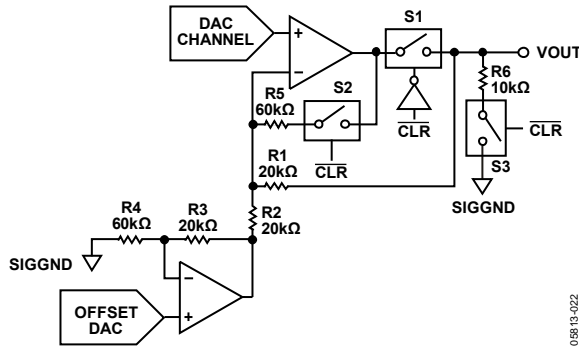


Figure 21. Output Amplifier and Offset DAC

Figure 21 shows details of a DAC output amplifier and its connections to its corresponding offset DAC. On power-up, S1 is open, disconnecting the amplifier from the output. S3 is closed; thus, the output is pulled to the corresponding SIGGND (R1 and R2 are much greater than R6). S2 is also closed to prevent the output amplifier being open-loop. If CLR is low at power-up, the output remains in this condition until CLR is taken high. The DAC registers can be programmed, and the outputs assume the programmed values when CLR is taken high. Even if CLR is high at power-up, the output remains in the previously described condition until VDD > 6 V and VSS < -4 V and the initialization sequence has finished. The outputs then go to their power-on default values.

TRANSFER FUNCTION

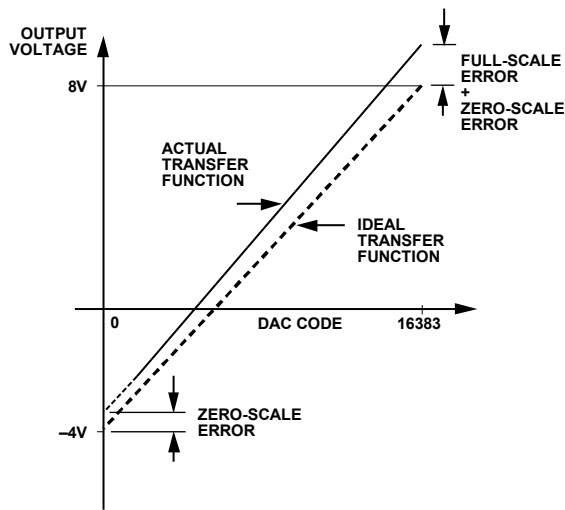


Figure 22. DAC Transfer Function

The output voltage of a DAC in the AD5370 is dependent on the value in the input register, the value of the M and C registers, and the value in the offset DAC. The transfer functions for the AD5370 are shown in the following section.

The input code is the value in the X1A or X1B register that is applied to DAC (X1A, X1B default code = 5461), as follows:

$$DAC_CODE = \frac{INPUT_CODE \times (M + 1)}{2^{16}} + C - 2^{15}$$

DAC output voltage is calculated as follows:

$$VOUT = 4 \times VREF \times \frac{DAC_CODE - (4 \times OFFSET_CODE)}{2^{16}} + V_{SIGGND}$$

where:

DAC_CODE should be within the range of 0 to 65,535.

For 12 V span, VREF = 3.0 V.

For 20 V span, VREF = 5.0 V.

M = code in gain register – default code = 2¹⁶ – 1.

C = code in offset register – default code = 2¹⁵.

OFFSET_CODE is the code loaded to the offset DAC. It is multiplied by 4 in the transfer function because the offset DAC is a 14-bit device. On power-up, the default code loaded to the offset DAC is 5461 (0x1555). With a 3 V reference, this gives a span of -4 V to +8 V.

REFERENCE SELECTION

The AD5370 has two reference input pins. The voltage applied to the reference pins determines the output voltage span on VOUT0 to VOUT39. VREF0 determines the voltage span for VOUT0 to VOUT7 (Group 0) and VREF1 determines the voltage span for VOUT8 to VOUT39 (Group 2 to Group 4). The reference voltage applied to each VREF pin can be different, if required, allowing each group to have a different voltage span. The output voltage range and span can be adjusted further by programming the offset and gain registers for each channel and by programming the offset DAC channels. If the offset and gain features are not used (that is, the M and C registers are left at their default values), the required reference levels can be calculated as follows:

$$VREF = (VOUT_{MAX} - VOUT_{MIN})/4$$

If the offset and gain features of the AD5370 are used, the required output range is slightly different. The chosen output range should take into account the system offset and gain errors that need to be trimmed out. Therefore, the chosen output range should be larger than the actual required range.

The required reference levels can be calculated as follows:

1. Identify the nominal output range on VOUT.
2. Identify the maximum offset span and the maximum gain required on the full output signal range.
3. Calculate the new maximum output range on VOUT, including the expected maximum offset and gain errors.
4. Choose the new required VOUT_{MAX} and VOUT_{MIN}, keeping the VOUT limits centered on the nominal values. Note that V_{DD} and V_{SS} must provide sufficient headroom.
5. Calculate the value of VREF as follows:

$$VREF = (VOUT_{MAX} - VOUT_{MIN})/4$$

Reference Selection Example

If

- Nominal Output Range = 12 V (–4 V to +8 V)
- Zero-Scale Error = ± 70 mV
- Gain Error = $\pm 3\%$
- SIGGND = AGND = 0 V

Then

- Gain Error = $\pm 3\%$
=> Maximum Positive Gain Error = +3%
=> Output Range Including Gain Error = $12 + 0.03(12) = 12.36$ V
- Offset Error = ± 70 mV
=> Maximum Offset Error Span = $2(70 \text{ mV}) = 0.14$ V
=> Output Range Including Gain Error and Offset Error = $12.36 \text{ V} + 0.14 \text{ V} = 12.5$ V
- VREF Calculation
Actual Output Range = 12.5 V, that is, –4.25 V to +8.25 V;
 $V_{REF} = (8.25 \text{ V} + 4.25 \text{ V})/4 = 3.125$ V

If the equation yields an inconvenient reference level, the user can adopt one of the following approaches:

- Use a resistor divider to divide down a convenient, higher reference level to the required level.
- Select a convenient reference level above VREF, and modify the gain and offset registers to downsize the reference digitally. In this way, the user can use almost any convenient reference level but may reduce the performance by overcompaction of the transfer function.
- Use a combination of these two approaches.

CALIBRATION

The user can perform a system calibration on the AD5370 to reduce gain and offset errors to below 1 LSB. This is achieved by calculating new values for the M and C registers and reprogramming them.

Reducing Zero-Scale Error

Zero-scale error can be reduced as follows:

1. Set the output to the lowest possible value.
2. Measure the actual output voltage and compare it with the required value. This gives the zero-scale error.
3. Calculate the number of LSBs equivalent to the error and add this from the default value of the C register. Note that only negative zero-scale error can be reduced.

Reducing Full-scale Error

Full-scale error can be reduced as follows:

1. Measure the zero-scale error.
2. Set the output to the highest possible value.
3. Measure the actual output voltage and compare it with the required value. Add this error to the zero-scale error. This is the span error, which includes the full-scale error.
4. Calculate the number of LSBs equivalent to the full-scale error and subtract it from the default value of the M register. Note that only positive full-scale error can be reduced.
5. The M and C registers should not be programmed until both zero-scale and full-scale errors have been calculated.

AD5370 Calibration Example

This example assumes that a –4 V to +8 V output is required. The DAC output is set to –4 V but measured at –4.03 V. This gives a zero-scale error of –30 mV.

1. $1 \text{ LSB} = 12 \text{ V}/65,536 = 183.11 \mu\text{V}$
2. $30 \text{ mV} = 164 \text{ LSB}$

The full-scale error can now be calculated. The output is set to +8 V and a value of +8.02 V is measured. The full-scale error is $+20 \text{ mV} - (-30 \text{ mV}) = +50 \text{ mV}$.

$$50 \text{ mV} = 273 \text{ LSBs}$$

The errors can now be removed.

1. 164 LSB should be added to the default C register value, that is $(32,768 + 164) = 32,932$.
2. 273 LSB should be subtracted from the default M register value; that is, $(65,535 - 273) = 65,262$.
3. 65,262 should be programmed to the M register and 32,932 should be programmed to the C register.

ADDITIONAL CALIBRATION

The techniques described in the previous section are usually enough to reduce the zero-scale and full-scale errors in most applications. However, there are limitations whereby the errors may not be sufficiently removed. For example, the offset (C) register can only be used to reduce the offset caused by the negative zero-scale error. A positive offset cannot be reduced. Likewise, if the maximum voltage is below the ideal value, that is, a negative full-scale error, the gain (M) register cannot be used to increase the gain to compensate for the error.

These limitations can be overcome by increasing the reference value. With a 3 V reference, a 12 V span is achieved. The ideal voltage range for the AD5370 is –4 V to +8 V. Using a 3.1 V reference increases the range to –4.133 V to +8.2667 V. Clearly, in this case, the offset and gain errors are insignificant, and the M and C registers can be used to raise the negative voltage to –4 V and then reduce the maximum voltage to +8 V to give the most accurate values possible.

RESET FUNCTION

The reset function is initiated by the $\overline{\text{RESET}}$ pin. On the rising edge of $\overline{\text{RESET}}$, the AD5370 state machine initiates a reset sequence to reset the X, M, and C registers to their default values. This sequence typically takes 300 μs , and the user should not write to the part during this time. On power-up, it is recommended that the user bring $\overline{\text{RESET}}$ high as soon as possible to properly initialize the registers.

When the reset sequence is complete (and provided that $\overline{\text{CLR}}$ is high), the DAC output is at a potential specified by the default register settings, which are equivalent to SIGGNDx. The DAC outputs remain at SIGGNDx until the X, M, or C register is updated and $\overline{\text{LDAC}}$ is taken low. The AD5370 can be returned to the default state by pulsing $\overline{\text{RESET}}$ low for at least 30 ns. Note that, because the reset function is triggered on the rising edge, bringing $\overline{\text{RESET}}$ low has no effect on the operation of the AD5370.

CLEAR FUNCTION

$\overline{\text{CLR}}$ is an active low input that should be high for normal operation. The $\overline{\text{CLR}}$ pin has an internal 500 k Ω pull-down resistor. When $\overline{\text{CLR}}$ is low, the input to each of the DAC output buffer stages, VOUT0 to VOUT39, is switched to the externally set potential on the relevant SIGGND pin. While $\overline{\text{CLR}}$ is low, all $\overline{\text{LDAC}}$ pulses are ignored. When $\overline{\text{CLR}}$ is taken high again, the DAC outputs remain cleared until $\overline{\text{LDAC}}$ is taken low. The contents of the input registers and DAC registers are not affected by taking $\overline{\text{CLR}}$ low. To prevent glitches from appearing on the outputs, $\overline{\text{CLR}}$ should be brought low by writing to the offset DAC whenever the output span is adjusted.

BUSY AND LDAC FUNCTIONS

The value of an X2 (A or B) register is calculated each time the user writes new data to the corresponding X1, C, or M register. During the calculation of X2, the $\overline{\text{BUSY}}$ output goes low. While $\overline{\text{BUSY}}$ is low, the user can continue writing new data to the X1, M, or C register (see the Register Update Rates section for more details), but no DAC output updates can take place.

The $\overline{\text{BUSY}}$ pin is bidirectional and has a 50 k Ω internal pull-up resistor. In cases where multiple AD5370 devices are used in one system, the $\overline{\text{BUSY}}$ pins can be tied together. This is useful when it is required that no DAC channel in any device be updated until all other DAC channels are ready to be updated. When each device finishes updating the X2 (A or B) register, it releases the $\overline{\text{BUSY}}$ pin. If another device has not finished updating its X2 register, it holds $\overline{\text{BUSY}}$ low, thus delaying the effect of $\overline{\text{LDAC}}$ going low.

The DAC outputs are updated by taking the $\overline{\text{LDAC}}$ input low. If $\overline{\text{LDAC}}$ goes low while $\overline{\text{BUSY}}$ is active, the $\overline{\text{LDAC}}$ event is stored and the DAC outputs update immediately after $\overline{\text{BUSY}}$ goes high. A user can also hold the $\overline{\text{LDAC}}$ input permanently low. In this case, the DAC outputs update immediately after $\overline{\text{BUSY}}$ goes

high. Whenever the $\overline{\text{A/B}}$ select registers are written to, $\overline{\text{BUSY}}$ also goes low, for approximately 600 ns.

The AD5370 has flexible addressing that allows writing of data to a single channel, all channels in a group, the same channel in Group 0 to Group 4 or the same channel in Group 1 to Group 4, or all channels in the device. This means that 1, 4, 5, 8, or 40 DAC register values may need to be calculated and updated. Because there is only one multiplier shared among 40 channels, this task must be done sequentially so that the length of the $\overline{\text{BUSY}}$ pulse varies according to the number of channels being updated.

Table 8. $\overline{\text{BUSY}}$ Pulse Widths

| Action | $\overline{\text{BUSY}}$ Pulse Width ¹ (μs max) |
|---|---|
| Loading X1A, X1B, C, or M to 1 channel ² | 1.5 |
| Loading X1A, X1B, C, or M to 4 channels | 3.3 |
| Loading X1A, X1B, C, or M to 5 channels | 3.9 |
| Loading X1A, X1B, C, or M to 8 channels | 5.7 |
| Loading X1A, X1B, C, or M to 40 channels | 24.9 |

¹ $\overline{\text{BUSY}}$ Pulse Width = ((Number of Channels + 1) \times 600 ns) + 300 ns.

² A single channel update is typically 1 μs .

The AD5370 contains an extra feature whereby a DAC register is not updated unless its X2A or X2B register has been written to since the last time $\overline{\text{LDAC}}$ was brought low. Normally, when $\overline{\text{LDAC}}$ is brought low, the DAC registers are filled with the contents of the X2A or X2B register, depending on the setting of the $\overline{\text{A/B}}$ select registers. However, the AD5370 updates the DAC register only if the X2 data has changed, thereby removing unnecessary digital crosstalk.

POWER-DOWN MODE

The AD5370 can be powered down by setting Bit 0 in the control register to 1. This turns off the DAC channels, thus reducing the current consumption. The DAC outputs are connected to their respective SIGGND potentials. The power-down mode does not change the contents of the registers, and the DAC channels return to their previous voltage when the power-down bit is cleared to 0.

THERMAL SHUTDOWN FUNCTION

The AD5370 can be programmed to power down the DACs if the temperature on the die exceeds 130°C. Setting Bit 1 in the control register to 1 (see the Special Function Mode section) enables this function. If the die temperature exceeds 130°C, the AD5370 enters a temperature power-down mode, which is equivalent to setting the power-down bit in the control register. To indicate that the AD5370 has entered temperature shutdown mode, Bit 4 of the control register is set to 1. The AD5370 remains in temperature shutdown mode, even if the die temperature falls, until Bit 1 in the control register is cleared to 0.

TOGGLE MODE

The AD5370 has two X2 registers per channel, X2A and X2B, that can be used to switch the DAC output between two levels with ease. This approach greatly reduces the overhead required by a microprocessor that would otherwise have to write to each channel individually. When the user writes to the X1A, X2A, M, or C register, the calculation engine takes a certain amount of time to calculate the appropriate X2A or X2B value. If the application only requires that the DAC output switch between two levels, as is the case with a data generator, any method that reduces the amount of calculation time necessary is advantageous.

For the data generator example, the user need only set the high and low levels for each channel once by writing to the X1A and X1B registers. The values of X2A and X2B are calculated and stored in their respective registers. The calculation delay therefore happens only during the setup phase, that is, when programming the initial values. To toggle a DAC output between the two levels, it is only required to write to the relevant \bar{A}/B select register to set the MUX2 register bit. Furthermore, because there are eight MUX2 control bits per register, it is possible to update eight channels with a single write. Table 15 shows the bits that correspond to each DAC output.

SERIAL INTERFACE

The AD5370 contains a high speed SPI-compatible serial interface operating at clock frequencies up to 50 MHz (20 MHz for read operations). To minimize both the power consumption of the device and on-chip digital noise, the interface powers up fully only when the device is being written to, that is, on the falling edge of $\overline{\text{SYNC}}$. The serial interface is 2.5 V LVTTTL-compatible when operating from a 2.5 V to 3.6 V DV_{CC} supply. It is controlled by four pins: $\overline{\text{SYNC}}$ (frame synchronization input), SDI (serial data input pin), SCLK (clocks data in and out of the device), and SDO (serial data output pin for data readback).

SPI WRITE MODE

The AD5370 allows writing of data via the serial interface to every register directly accessible to the serial interface, which is all registers except the X2A and X2B registers and the DAC registers. The X2A and X2B registers are updated when the user writes to the X1A, X1B, M, or C register, and the DAC registers are updated by LDAC.

The serial word (see Table 10) is 24 bits long; 16 of these bits are data bits, six bits are address bits, and two bits are mode bits that determine what is done with the data.

The serial interface works with both a continuous and a burst (gated) serial clock. Serial data applied to SDI is clocked into the AD5370 by clock pulses applied to SCLK. The first falling edge of $\overline{\text{SYNC}}$ starts the write cycle. At least 24 falling clock edges must be applied to SCLK to clock in 24 bits of data before $\overline{\text{SYNC}}$ is taken high again. If $\overline{\text{SYNC}}$ is taken high before the 24th falling clock edge, the write operation is aborted.

If a continuous clock is used, $\overline{\text{SYNC}}$ must be taken high before the 25th falling clock edge. This inhibits the clock within the AD5370. If more than 24 falling clock edges are applied before $\overline{\text{SYNC}}$ is taken high again, the input data becomes corrupted. If an externally gated clock of exactly 24 pulses is used, $\overline{\text{SYNC}}$ can be taken high any time after the 24th falling clock edge.

The input register addressed is updated on the rising edge of $\overline{\text{SYNC}}$. For another serial transfer to take place, $\overline{\text{SYNC}}$ must be taken low again.

SPI READBACK MODE

The AD5370 allows data readback via the serial interface from every register directly accessible to the serial interface, which is all registers except the X2A, X2B, and DAC registers. To read back a register, it is first necessary to tell the AD5370 which register to read. This is achieved by writing a word whose

first two bits are the Special Function Code 00 to the device. The remaining bits then determine which register is to be read back.

If a readback command is written to a special function register, data from the selected register is clocked out of the SDO pin during the next SPI operation. The SDO pin is normally three-stated but becomes driven as soon as a read command is issued. The pin remains driven until the register data is clocked out. See Figure 5 for the read timing diagram. Note that, due to the timing requirements of t_s (25 ns), the maximum speed of the SPI interface during a read operation should not exceed 20 MHz.

REGISTER UPDATE RATES

The value of the X2A or X2B register is calculated each time the user writes new data to the corresponding X1, C, or M register. The calculation is performed by a three-stage process. The first two stages take approximately 600 ns each, and the third stage takes approximately 300 ns. When the write to the X1, C, or M register is complete, the calculation process begins. If the write operation involves the update of a single DAC channel, the user is free to write to another register, provided that the write operation does not finish until the first stage calculation is complete, that is, 600 ns after completion of the first write operation. If a group of channels is being updated by a single write operation, the first stage calculation is repeated for each channel, taking 600 ns per channel. In this case, the user should not complete the next write operation until this time has elapsed.

CHANNEL ADDRESSING AND SPECIAL MODES

If the mode bits are not 00, the data-word for D13 to D0 is written to the device. Address Bit A5 to Address Bit A0 determine which channels are written to, whereas the mode bits determine the register (X1A, X1B, C, or M) to which the data is written, as shown in Table 9. If data is to be written to the X1A or X1B register, the setting of the $\overline{\text{A/B}}$ bit in the control register determines the register to which the data is written (that is, 0 \rightarrow X1A, 1 \rightarrow X1B).

Table 9. Mode Bits

| M1 | M0 | Action |
|----|----|--|
| 1 | 1 | Writes to the DAC input data (X) register, depending on the control register $\overline{\text{A/B}}$ bit |
| 1 | 0 | Writes to the DAC offset (C) register |
| 0 | 1 | Writes to the DAC gain (M) register |
| 0 | 0 | Special function, used in combination with other bits of the data-word |

Table 10. Serial Word Bit Assignment

| | | | | | | | | | | | | | | | | | | | | | | | |
|-----|-----|-----|-----|-----|-----|-----|-----|-----|-----|-----|-----|-----|-----|----|----|----|----|----|----|----|----|----|----|
| I23 | I22 | I21 | I20 | I19 | I18 | I17 | I16 | I15 | I14 | I13 | I12 | I11 | I10 | I9 | I8 | I7 | I6 | I5 | I4 | I3 | I2 | I1 | I0 |
| M1 | M0 | A5 | A4 | A3 | A2 | A1 | A0 | D15 | D14 | D13 | D12 | D11 | D10 | D9 | D8 | D7 | D6 | D5 | D4 | D3 | D2 | D1 | D0 |

AD5370

Table 11 shows the groups and channels that are addressed for every combination of Address Bit A5 to Address Bit A0.

Table 11. Group and Channel Addressing

| Address Bit A2 to Address Bit A0 | Address Bit A5 to Address Bit A3 | | | | | | | |
|-------------------------------------|----------------------------------|-----------------------|-----------------------|-----------------------|-----------------------|-----------------------|---|---|
| | 000 | 001 | 010 | 011 | 100 | 101 | 110 | 111 |
| 000 | All groups, all channels | Group 0, Channel 0 | Group 1, Channel 0 | Group 2, Channel 0 | Group 3, Channel 0 | Group 4, Channel 0 | Group 0, Group 1, Group 2, Group 3, Group 4; Channel 0 | Group 1, Group 2, Group 3, Group 4; Channel 0 |
| 001 | Group 0, all channels | Group 0, Channel 1 | Group 1, Channel 1 | Group 2, Channel 1 | Group 3, Channel 1 | Group 4, Channel 1 | Group 0, Group 1, Group 2, Group 3, Group 4; Channel 1 | Group 1, Group 2, Group 3, Group 4; Channel 1 |
| 010 | Group 1, all channels | Group 0, Channel 2 | Group 1, Channel 2 | Group 2, Channel 2 | Group 3, Channel 2 | Group 4, Channel 2 | Group 0, Group 1, Group 2, Group 3, Group 4; Channel 2 | Group 1, Group 2, Group 3, Group 4; Channel 2 |
| 011 | Group 2, all channels | Group 0, Channel 3 | Group 1, Channel 3 | Group 2, Channel 3 | Group 3, Channel 3 | Group 4, Channel 3 | Group 0, Group 1, Group 2, Group 3, Group 4; Channel 3 | Group 1, Group 2, Group 3, Group 4; Channel 3 |
| 100 | Group 3, all channels | Group 0, Channel 4 | Group 1, Channel 4 | Group 2, Channel 4 | Group 3, Channel 4 | Group 4, Channel 4 | Group 0, Group 1, Group 2, Group 3, Group 4; Channel 4 | Group 1, Group 2, Group 3, Group 4; Channel 4 |
| 101 | Group 4, all channels | Group 0, Channel 5 | Group 1, Channel 5 | Group 2, Channel 5 | Group 3, Channel 5 | Group 4, Channel 5 | Group 0, Group 1, Group 2, Group 3, Group 4; Channel 5 | Group 1, Group 2, Group 3, Group 4; Channel 5 |
| 110 | Reserved | Group 0, Channel 6 | Group 1, Channel 6 | Group 2, Channel 6 | Group 3, Channel 6 | Group 4, Channel 6 | Group 0, Group 1, Group 2, Group 3, Group 4; Channel 6 | Group 1, Group 2, Group 3, Group 4; Channel 6 |
| 111 | Reserved | Group 0, Channel 7 | Group 1, Channel 7 | Group 2, Channel 7 | Group 3, Channel 7 | Group 4, Channel 7 | Group 0, Group 1, Group 2, Group 3, Group 4; Channel 7 | Group 1, Group 2, Group 3, Group 4; Channel 7 |

SPECIAL FUNCTION MODE

If the mode bits are 00, the special function mode is selected, as shown in Table 12. Bit I21 to Bit I16 of the serial data-word select the special function, and the remaining bits are data required for execution of the special function, for example, the channel address for data readback.

The codes for the special functions are shown in Table 13. Table 14 shows the addresses for data readback.

Table 12. Special Function Mode

| I23 | I22 | I21 | I20 | I19 | I18 | I17 | I16 | I15 | I14 | I13 | I12 | I11 | I10 | I9 | I8 | I7 | I6 | I5 | I4 | I3 | I2 | I1 | I0 |
|-----|-----|-----|-----|-----|-----|-----|-----|-----|-----|-----|-----|-----|-----|----|----|----|----|----|----|----|----|----|----|
| 0 | 0 | S5 | S4 | S3 | S2 | S1 | S0 | F15 | F14 | F13 | F12 | F11 | F10 | F9 | F8 | F7 | F6 | F5 | F4 | F3 | F2 | F1 | F0 |

Table 13. Special Function Codes

| Special Function Code | | | | | | Data (F15 to F0) | Action |
|-----------------------|----|----|----|----|----|--------------------------|--|
| S5 | S4 | S3 | S2 | S1 | S0 | | |
| 0 | 0 | 0 | 0 | 0 | 0 | 0000 0000 0000 0000 | NOP. |
| 0 | 0 | 0 | 0 | 0 | 1 | XXXX XXXX XXXX X [F2:F0] | Write to the Control register. F4 = overtemperature indicator (read-only bit). This bit should be 0 when writing to the Control register. F3 = reserved. This bit should be 0 when writing to the Control register. F2 = 1: select register X1B for input. F2 = 0: select register X1A for input. F1 = 1: enable temperature shutdown. F1 = 0: disable temperature shutdown. F0 = 1: soft power-down. F0 = 0: soft power-up. |
| 0 | 0 | 0 | 0 | 1 | 0 | XX[F13:F0] | Write data in F13:F0 to OFS0 register. |
| 0 | 0 | 0 | 0 | 1 | 1 | XX[F13:F0] | Write data in F13:F0 to OFS1 register. |
| 0 | 0 | 0 | 1 | 0 | 0 | Reserved | Reserved. |
| 0 | 0 | 0 | 1 | 0 | 1 | See Table 14 | Select register for readback. |
| 0 | 0 | 0 | 1 | 1 | 0 | XXXX XXXX [F7:F0] | Write data in F7:F0 to \bar{A}/B Select Register 0. |
| 0 | 0 | 0 | 1 | 1 | 1 | XXXX XXXX [F7:F0] | Write data in F7:F0 to \bar{A}/B Select Register 1. |
| 0 | 0 | 1 | 0 | 0 | 0 | XXXX XXXX [F7:F0] | Write data in F7:F0 to \bar{A}/B Select Register 2. |
| 0 | 0 | 1 | 0 | 0 | 1 | XXXX XXXX [F7:F0] | Write data in F7:F0 to \bar{A}/B Select Register 3. |
| 0 | 0 | 1 | 0 | 1 | 0 | XXXX XXXX [F7:F0] | Write data in F7:F0 to \bar{A}/B Select Register 4. |
| 0 | 0 | 1 | 0 | 1 | 1 | XXXX XXXX [F7:F0] | Block write \bar{A}/B select registers. F7:F0 = 0, write all 0s (all channels use X2A register). F7:F0 = 1, write all 1s (all channels use X2B register). |
| 0 | 1 | 1 | 1 | 0 | 0 | Reserved | |

AD5370

Table 14. Address Codes for Data Readback¹

| F15 | F14 | F13 | F12 | F11 | F10 | F9 | F8 | F7 | Register Read |
|-----|-----|-----|---|-----|-----|----|----|----|------------------------------------|
| 0 | 0 | 0 | Bit F12 to Bit F7 select the channel to be read back from; Channel 0 = 001000 to Channel 39 = 101111 | | | | | | X1A register |
| 0 | 0 | 1 | | | | | | | X1B register |
| 0 | 1 | 0 | | | | | | | C register |
| 0 | 1 | 1 | | | | | | | M register |
| 1 | 0 | 0 | 0 | 0 | 0 | 0 | 0 | 1 | Control register |
| 1 | 0 | 0 | 0 | 0 | 0 | 0 | 1 | 0 | OFS0 data register |
| 1 | 0 | 0 | 0 | 0 | 0 | 0 | 1 | 1 | OFS1 data register |
| 1 | 0 | 0 | 0 | 0 | 0 | 1 | 0 | 0 | Reserved |
| 1 | 0 | 0 | 0 | 0 | 0 | 1 | 1 | 0 | $\overline{A/B}$ Select Register 0 |
| 1 | 0 | 0 | 0 | 0 | 0 | 1 | 1 | 1 | $\overline{A/B}$ Select Register 1 |
| 1 | 0 | 0 | 0 | 0 | 1 | 0 | 0 | 0 | $\overline{A/B}$ Select Register 2 |
| 1 | 0 | 0 | 0 | 0 | 1 | 0 | 0 | 1 | $\overline{A/B}$ Select Register 3 |
| 1 | 0 | 0 | 0 | 0 | 1 | 0 | 1 | 0 | $\overline{A/B}$ Select Register 4 |

¹ F6 to F0 are don't cares for the data readback function.

Table 15. DAC Channels Selected by $\overline{A/B}$ Select Registers

| $\overline{A/B}$ Select Register | Bits ¹ | | | | | | | |
|----------------------------------|-------------------|--------|--------|--------|--------|--------|--------|--------|
| | F7 | F6 | F5 | F4 | F3 | F2 | F1 | F0 |
| 0 | VOUT7 | VOUT6 | VOUT5 | VOUT4 | VOUT3 | VOUT2 | VOUT1 | VOUT0 |
| 1 | VOUT15 | VOUT14 | VOUT13 | VOUT12 | VOUT11 | VOUT10 | VOUT9 | VOUT8 |
| 2 | VOUT23 | VOUT22 | VOUT21 | VOUT20 | VOUT19 | VOUT18 | VOUT17 | VOUT16 |
| 3 | VOUT31 | VOUT30 | VOUT29 | VOUT28 | VOUT27 | VOUT26 | VOUT25 | VOUT24 |
| 4 | VOUT39 | VOUT38 | VOUT37 | VOUT36 | VOUT35 | VOUT34 | VOUT33 | VOUT32 |

¹ If the bit is 0, Register A is selected. If the bit is 1, Register B is selected.

POWER SUPPLY DECOUPLING

In any circuit where accuracy is important, careful consideration of the power supply and ground return layout helps to ensure the rated performance. The printed circuit board on which the AD5370 is mounted should be designed so that the analog and digital sections are separated and confined to certain areas of the board. If the AD5370 is in a system where multiple devices require an AGND-to-DGND connection, the connection should be made at one point only. The star ground point should be established as close as possible to the device. For supplies with multiple pins (V_{SS} , V_{DD} , DV_{CC}), it is recommended to tie these pins together and to decouple each supply once.

The AD5370 should have ample supply decoupling of 10 μF in parallel with 0.1 μF on each supply located as close to the package as possible, ideally right up against the device. The 10 μF capacitors are the tantalum bead type. The 0.1 μF capacitor should have low effective series resistance (ESR) and low effective series inductance (ESI)—such as is typical of the common ceramic types that provide a low impedance path to ground at high frequencies—to handle transient currents due to internal logic switching.

Digital lines running under the device should be avoided because they can couple noise onto the device. The analog ground plane should be allowed to run under the AD5370 to avoid noise coupling. The power supply lines of the AD5370 should use as large a trace as possible to provide low impedance paths and reduce the effects of glitches on the power supply line. Fast-switching digital signals should be shielded with digital ground to avoid radiating noise to other parts of the board, and they should never be run near the reference inputs. It is essential to minimize noise on all VREF lines.

Avoid crossover of digital and analog signals. Traces on opposite sides of the board should run at right angles to each other. This reduces the effects of feedthrough through the board. A microstrip technique is by far the best approach, but it is not always possible with a double-sided board. In this technique, the component side of the board is dedicated to ground plane, and signal traces are placed on the solder side.

As is the case for all thin packages, care must be taken to avoid flexing the package and to avoid a point load on the surface of this package during the assembly process.

POWER SUPPLY SEQUENCING

When the supplies are connected to the AD5370, it is important that the AGND and DGND pins be connected to the relevant ground plane before the positive or negative supplies are applied. In most applications, this is not an issue because the ground pins for the power supplies are connected to the ground pins of the AD5370 via ground planes. When the AD5370 is used in a hot swap card, care should be taken to ensure that the ground pins are connected to the supply grounds before the positive or negative supply is connected. This is required to prevent currents from flowing in directions other than toward an analog or digital ground.

AD5370

INTERFACING EXAMPLES

The SPI interface of the AD5370 is designed to allow the parts to be easily connected to industry-standard DSPs and microcontrollers. Figure 23 shows how the AD5370 can be connected to the Analog Devices, Inc., Blackfin® DSP. The Blackfin has an integrated SPI port that can be connected directly to the SPI pins of the AD5370, as well as programmable input/output pins that can be used to set or read the state of the digital input or output pins associated with the interface.

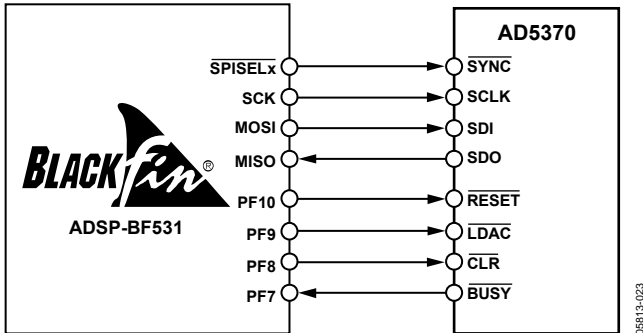


Figure 23. Interfacing to a Blackfin DSP

The Analog Devices ADSP-21065L is a floating point DSP with two serial ports (SPORTs). Figure 24 shows how one SPORT can be used to control the AD5370. In this example, the transmit frame synchronization (TFS) pin is connected to the receive frame synchronization (RFS) pin. The transmit and receive clocks (TCLK and RCLK) are also connected together. The user can write to the AD5370 by writing to the transmit register. A read operation can be accomplished by first writing to the AD5370 to tell the part that a read operation is required. A second write operation with an NOP instruction causes the data to be read from the AD5370. The DSP receive interrupt can be used to indicate when the read operation is complete.

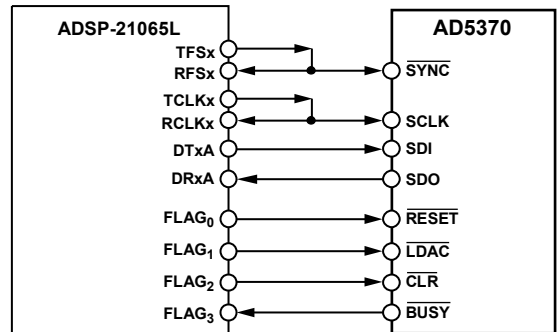
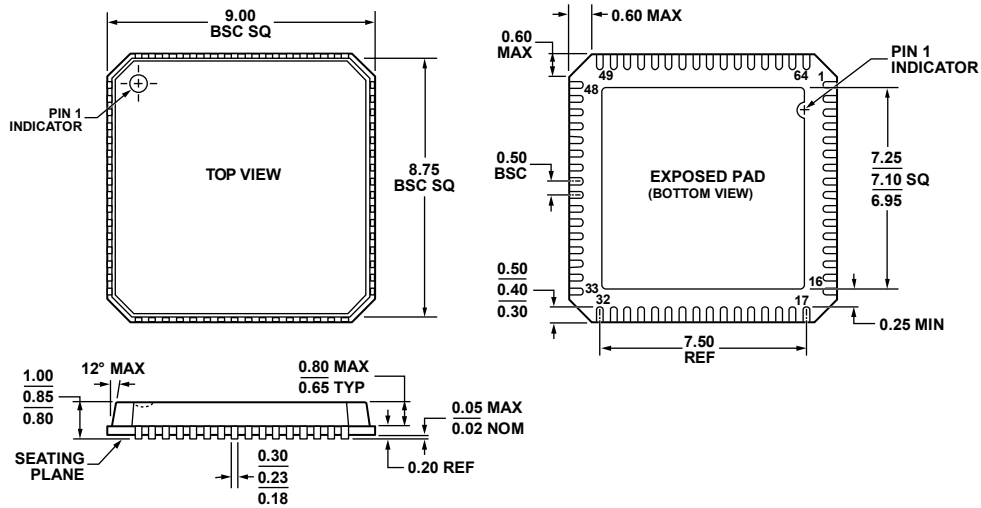


Figure 24. Interfacing to an ADSP-21065L DSP

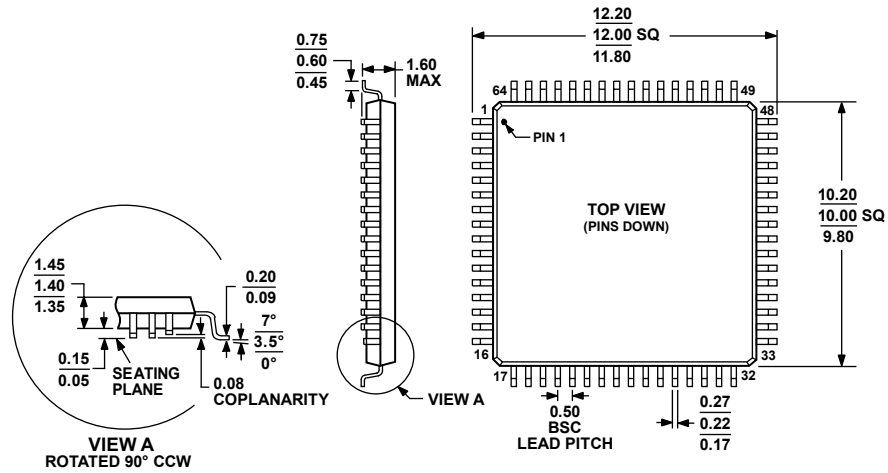
OUTLINE DIMENSIONS



COMPLIANT TO JEDEC STANDARDS MO-220-VMMD-4

Figure 25. 64-Lead Lead Frame Chip Scale Package [LFCSP_VQ]
9 mm × 9 mm Body, Very Thin Quad
(CP-64-3)
Dimensions shown in millimeters

051007-C



COMPLIANT TO JEDEC STANDARDS MS-026-BCD

Figure 26. 64-Lead Low Profile Quad Flat Package [LQFP]
(ST-64-2)
Dimensions shown in millimeters

051706-A

ORDERING GUIDE

| Model | Temperature Range | Package Description | Package Option |
|-------------------------------|-------------------|--|----------------|
| AD5370BCPZ ¹ | -40°C to +85°C | 64-Lead Lead Frame Chip Scale Package (LFCSP_VQ) | CP-64-3 |
| AD5370BCPZ-REEL7 ¹ | -40°C to +85°C | 64-Lead Lead Frame Chip Scale Package (LFCSP_VQ) | CP-64-3 |
| AD5370BSTZ ¹ | -40°C to +85°C | 64-Lead Low Profile Quad Flat Package (LQFP) | ST-64-2 |
| AD5370BSTZ-REEL ¹ | -40°C to +85°C | 64-Lead Low Profile Quad Flat Package (LQFP) | ST-64-2 |

¹ Z = RoHS Compliant Part.

AD5370

NOTES